

Programmes After Market Services NPW-1 Series Transceivers

Product Variants

Table of Contents

	Page No
Transceiver NPW-1.....	4
Modules and Transceiver Structure	4
Assembly Parts of the Basic Transceiver NPW-1	6
Assembly Parts of NPW-1 Product Variants	8
Product Variants	9

List of Figures

	Page No
Fig 1 Exploded view of Basic Transceiver NPW-1.....	5
Fig 2 Exploded view of NPW-1 product variants.....	7

Transceiver NPW-1

The NPW-1 transceiver is a TDMA dualband (DB), 800/1900 MHz + AMPS hand portable.

NOTE: The Service Manual is intended for use by qualified service personnel only.

Modules and Transceiver Structure

Custom Transceiver

ATO Transceiver

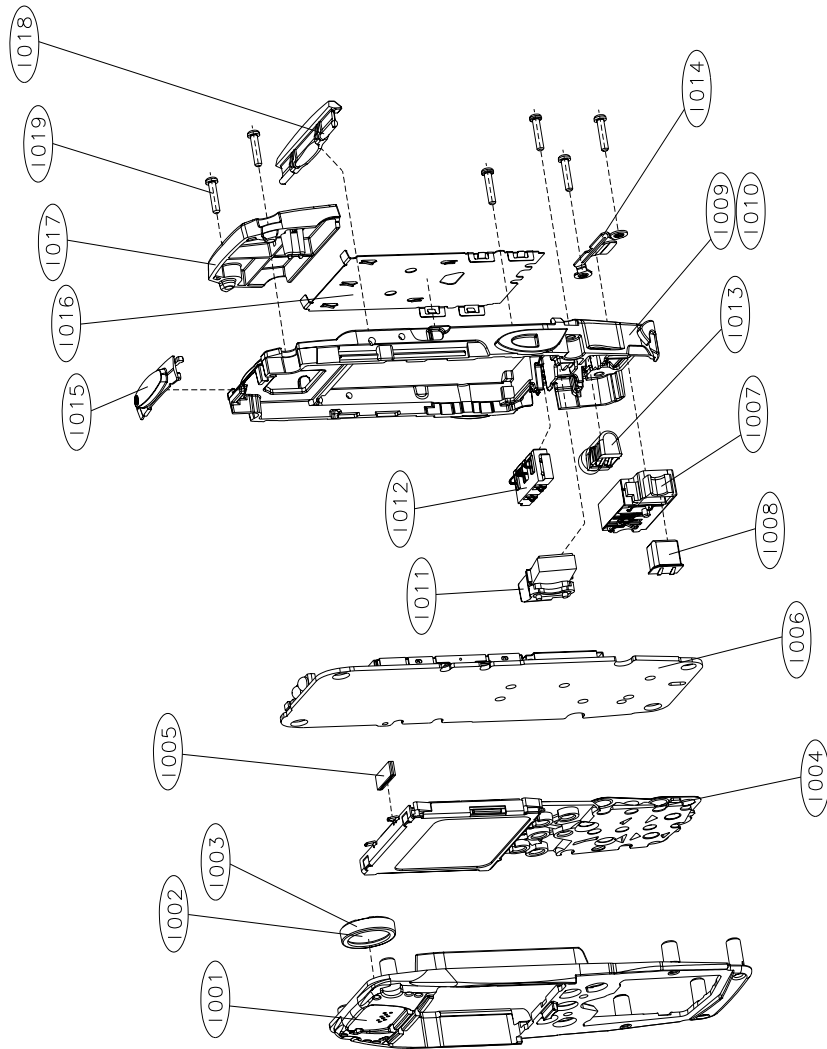
- 1 A-cover
- 2 Keymat
- 3 Co-label, if needed
- 4 Type label
- 5 Software settings
 - CSF-file
 - SW Language package (PPM)

Basic Transceiver NPW-1	0504959
• RF/System Module	0201588
• Mechanics MNPW1	0262390
• Software SW NPW-1	0242182

The Basic Transceiver NPW-1 consists of the System, Mechanics and Software -modules. It is a tested engine after FINUI testing. All NPW-1 product variants are based on the Basic Transceiver.

Note: This is the basic structure of the phone. The Basic Transceiver codes vary according to the manufacturing site.

Figure 1: Exploded view of Basic Transceiver NPW-1



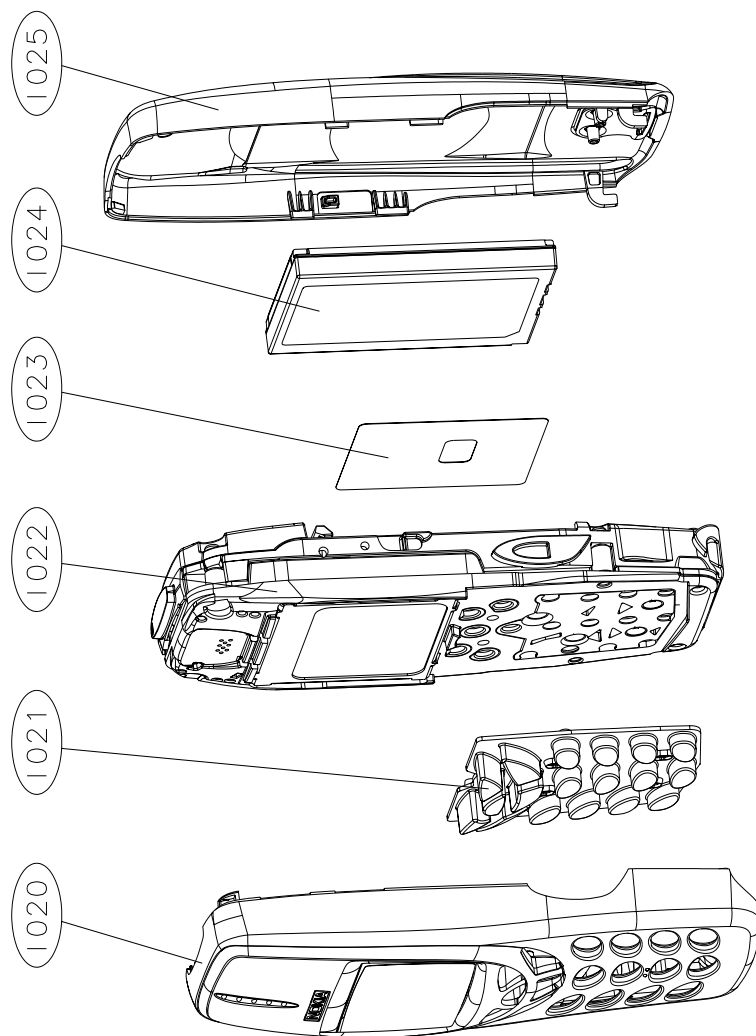
Assembly Parts of the Basic Transceiver NPW-1

EDMS

CIRCUIT REF./

ITEM	Q'TY	CODE	DESCRIPTION	VALUE, TYPE
I001		9490128	C-cover assy (Perlos/Intesys)	DMC02910-EN
I002		5140067	Speaker (Philips)	
I003		9480570	Speaker gasket (Intesys)	DMD06256-EN
I004		4850139	LCD module assy (Seiko)	DMC02760-EN
I004		4850139	LCD module assy (Philips)	DMC02877-EN
I005		5407797	MG elastomer (Seiko, ShinEtsu)	DMD05452-EN
I005		5407803	MG elastomer (Philips, ShinEtsu)	DMD06217-EN
I006		9854439	PWB	DMD05311-EN
I007		5460043	System connector assy (Molex)	SD-91343-003 SD-91343-004
I008		5140201	Microphone assy (Matsuhita/Hoseiden)	DMC02719 & DMC02720-EN
I009		9490104	D-cover assy DB (Eloteq / Yoo Sung)	DMC02594-EN
I010		9451702	D-cover	DMD05560-EN
I011		5140203	Buzzer assy (Star)	DMC04025-EN
I012		5409143	Battery connector (Molex)	SD-91360-001
I013		6800053	Vibra assy (Namiki)	DMC02420-EN
I014		9510566	Release spring (AK Stamping)	DMD05608-EN
I015		9451703	IR-window/PWR key (Perlos / Intesys)	DMD05562-EN
I016		9510561	Metal Deck (AK Stamping)	DMD05244-EN
I017		0660221	Antenna assy DB (Allgon)	S39700.1
I018		9451706	Battery latch (Perlos / Intesys)	DMD05561-EN
I019	6	6290093	Screws	DMD05615-EN

Figure 2: Exploded view of NPW-1 product variants



Assembly Parts of NPW-1 Product Variants

EDMS

CIRCUIT REF./

ITEM	Q'TY	CODE	DESCRIPTION	VALUE, TYPE
I020			A-cover assy	DMC03110-EN
		9456940	Navy Blue	Not painted
		9458147	Cingular Techno Blue	Not painted
I021		9790444	Keymat assy (Nokia) (ShinEtsu)	DMC03128-EN
I021		9790515	Keymat assy (Hebrew) (ShinEtsu)	DMC03854-EN
I022		0506165	Basic Transceiver NPW-1(Nokia TMC)	
I022		0504959	Basic Transceiver NPW-1(NMP/Alliance)	
I022		0506166	Basic Transceiver NPW-1(NMP/Reynosa)	
I023		9370583	Typelabel (General)	DMP04504-EN
I024		0670323	Battery BMC-2 (Americas)	DMD05235-EN
I024		0670335	Battery BMC-2 (Brazil)	DMD05235-EN
I024		0670324	Battery BMC-3	DMD05236-EN
I024		0670343	Battery BLC-2	DMD05559-EN
I025		9456825	B-cover assy	DMC03011-EN
		9458148	Cingular Techno Blue	Not painted
		9456946	Navy Blue	Not painted

Product Variants

Some of the existing custom 3360 transceiver variants are listed below:

- 1 0503268 Nokia DB Default transceiver
- 2 0506431 Nokia DB LTA default transceiver
- 3 0505885 Cingular A transceiver
- 4 0505886 Cingular B transceiver
- 5 0505888 Bellsouth transceiver
- 6 0505887 Houston cellular transceiver
- 7 0505889 AWS Corporate transceiver
- 8 0505891 ATT Telecorp/Suncom transceiver
- 9 0505893 ATT Triton/Suncom transceiver
- 10 0505894 ATT Rogers Canada transceiver
- 11 0505898 US Cellular transceiver
- 12 0505899 Unifon Argentina transceiver
- 13 0505900 Telecom Personnel Argentina transceiver
- 14 0506431 Southercone transceiver
- 15 0505901 Cingular PuertoRico transceiver
- 16 0506423 Israel Cellcom transceiver

This page intentionally left blank.